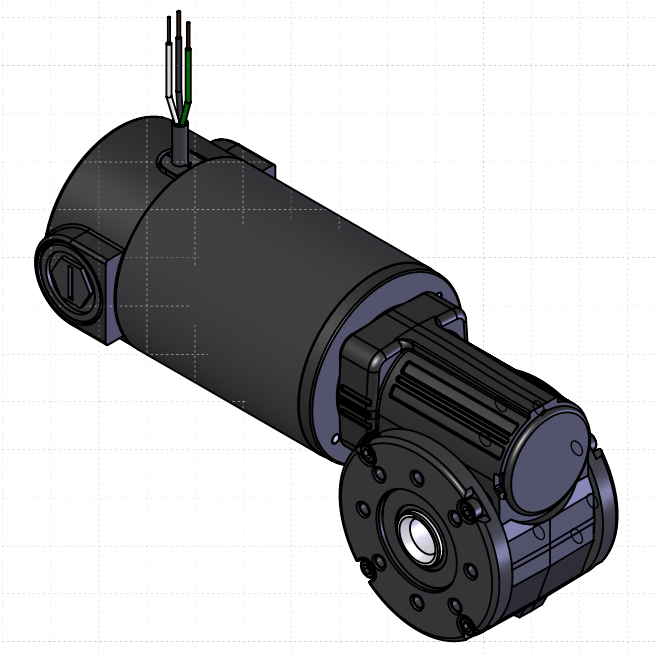
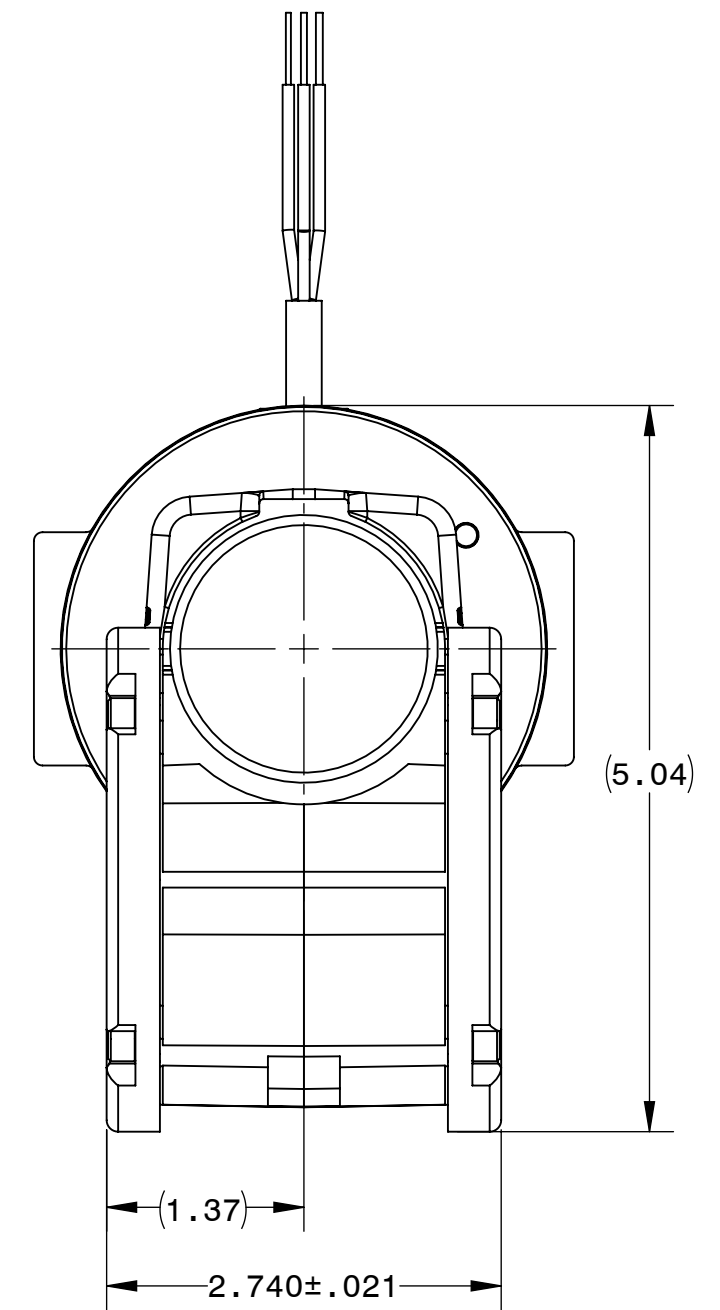
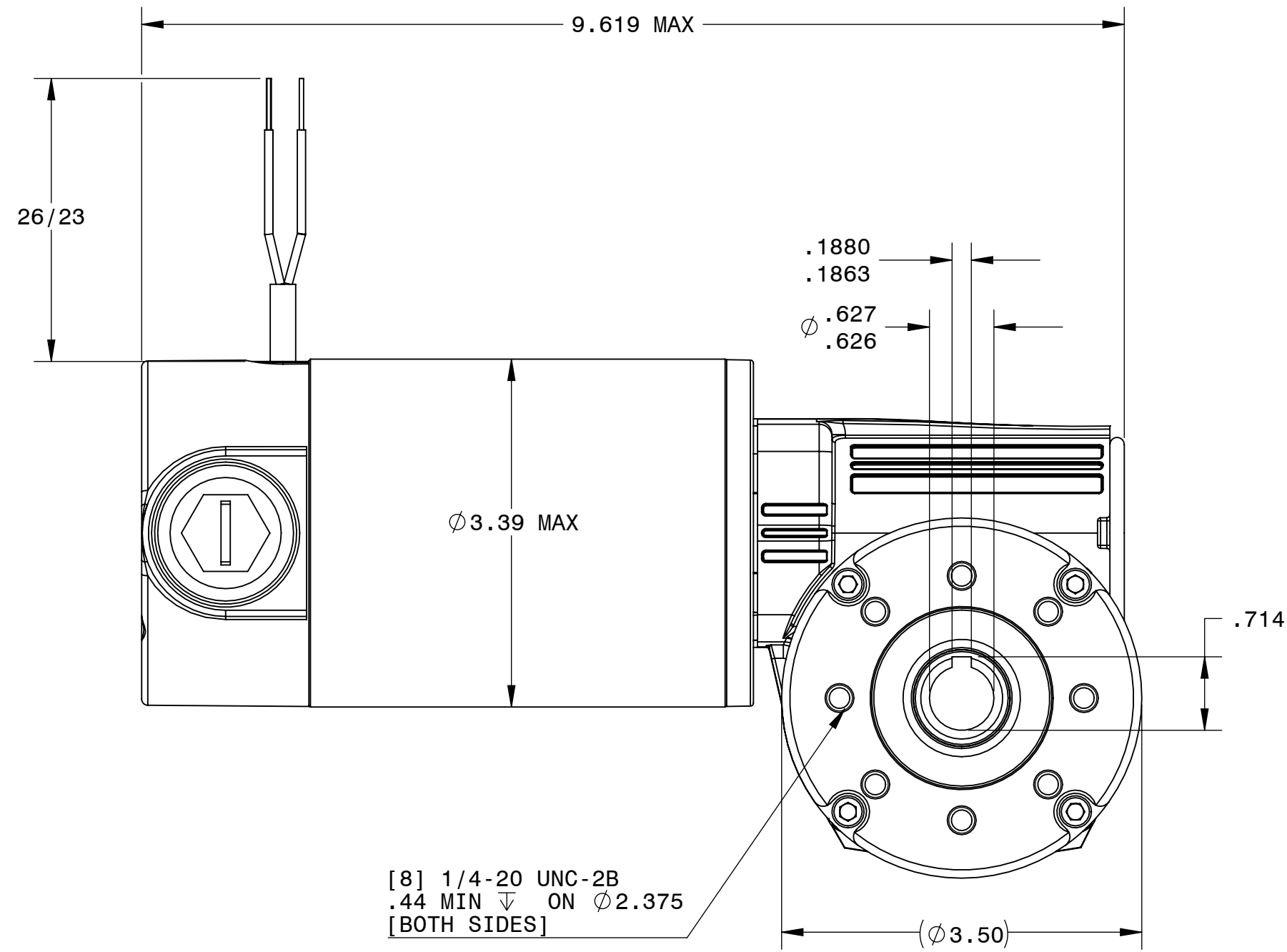
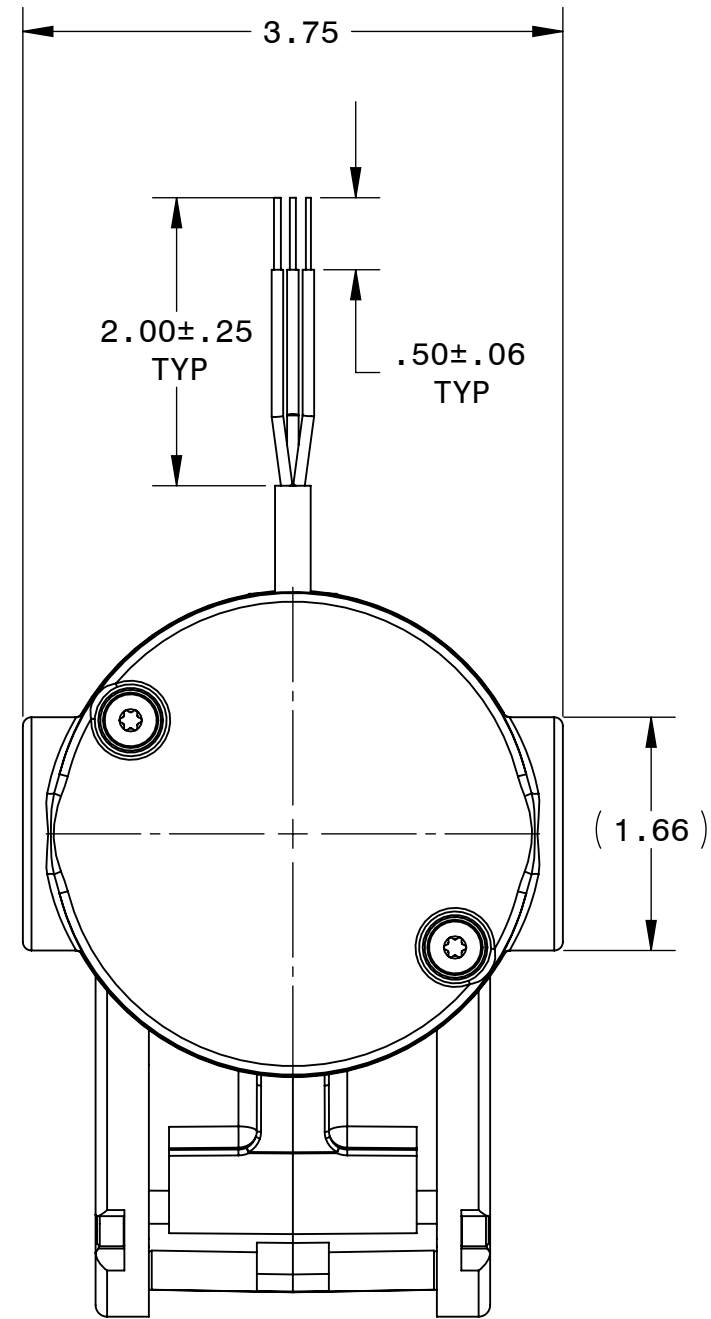


DESCRIPTION:
GEARMOTOR 33A5BEPM-5L/H

SHEET: 1/1
SCALE: 1:1
C

UNLESS OTHERWISE SPECIFIED:
UNITS ARE IN INCHES [mm]
TOLERANCES: .XX:±.01 .XXX:±.005
ANGLES: X°:±3° X.X°:±0.5°



REPRESENTATIVE OF MODEL NUMBER(S) :

- 6734 6735 6736 6737 6738
- 1511 1512 1513 1514 1515 1516
- 1521 1522 1523 1524 1525 1526